

# LED Power Supply (Constant Current)

## LVED PRO 1-10V Dimmable



### Application Area

- Suitable for indoor locations
- Suitable for downlight, panel light, spot light etc..

### Standard

- Safety: IEC61347-1, IEC61347-2-13
- EMC: EN55015, IEC61547, IEC61000

### Product Description

- Independent Dimmable LED Driver
- Two items with rated power 20W and 40W
- Current Selectable
- High Power Factor (PF>0.9)

### Product Feature

- 1-10V/PWM/Resistor 3-in-1 Dimmable
- Low ripple current (<5%)
- Isolated, SELV design
- Long life time 50000H
- 5-year guarantee



# LED Power Supply (Constant Current)

## LVED PRO 1-10V Dimmable

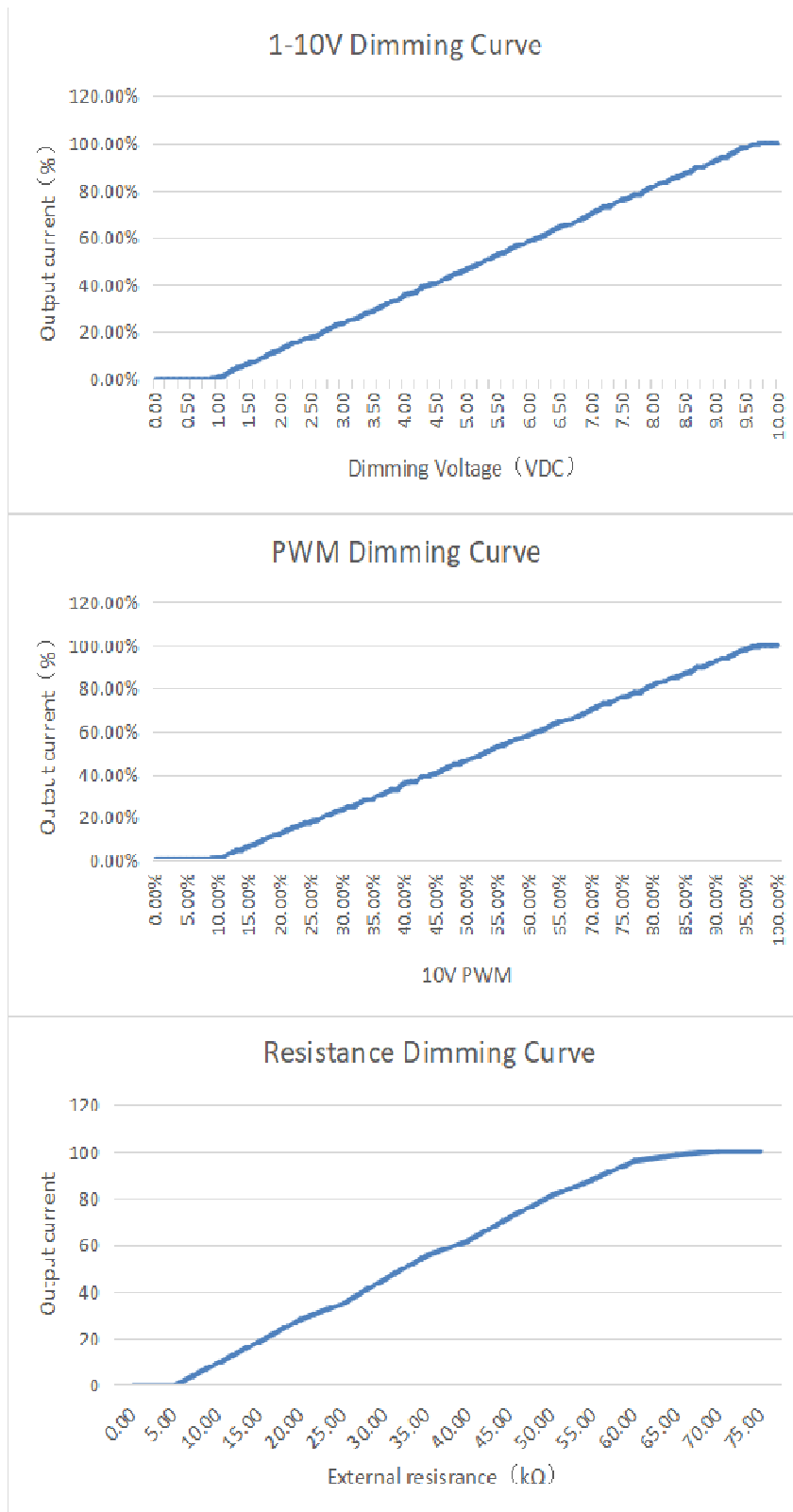
### Technique Data

	LVED PRO 20/220-240/550 CS 1-10V	LVED PRO 40/220-240/1050 CS 1-10V
Rated Input Voltage	220-240V	220-240V
Frequency	50/60Hz	50/60Hz
Power Factor	>0.9	>0.95
THD	<15%	<10%
Rated output Power	20W	40W
Output Voltage	20-40V @350mA 20-40V @400mA 20-40V @500mA 20-36V @550mA	22-44V @700mA 22-44V @750mA 22-44V @800mA 22-44V @850mA 22-44V @900mA 22-42V @950mA 22-40V @1000mA 22-38V @1050mA
Output Current	350/400/500/550mA Selectable by DIP SWITCH	700/750/800/850/900/950 /1000/1050mA Selectable by DIP SWITCH
Current Accuracy	±5%	±5%
Current Ripple	<5%	<5%
Dimmable Feature	1-10V/PMW/Resistor 3-in-1	1-10V/PMW/Resistor 3-in-1
Efficiency	85%	88%
Surge	1kV (L-N)	1kV (L-N)
Protection	Overload protection Short-circuit protection No-load protection	Overload protection Short-circuit protection No-load protection
IP Rating	IP20	IP20
Ta	-20...50°C	-20...50°C
Tc	75°C	70°C
Lifetime	50000H	50000H
Dimension	150x42x28mm	130x81x30mm

Note: Above spec is based on full load condition if no specify.

# LED Power Supply (Constant Current) LVED PRO 1-10V Dimmable

## Dimming Curve

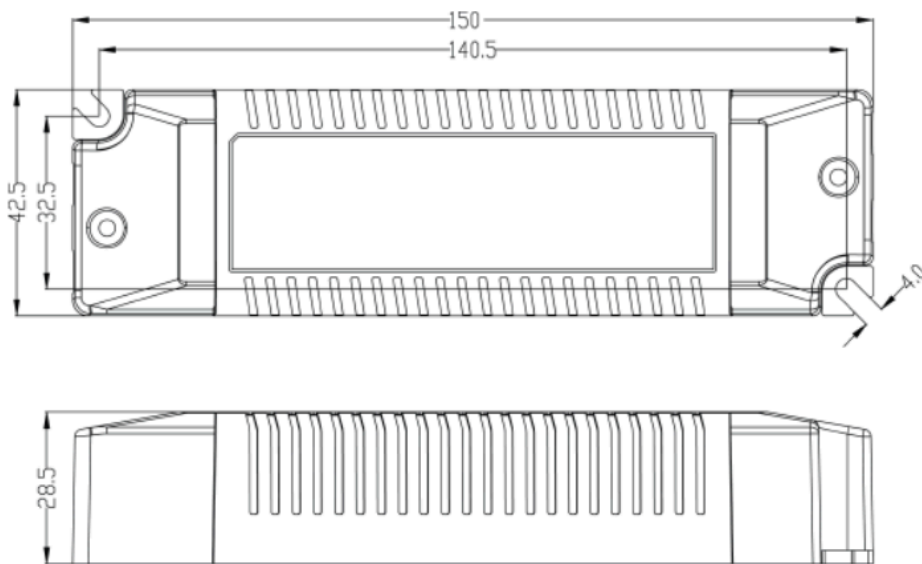


# LED Power Supply (Constant Current)

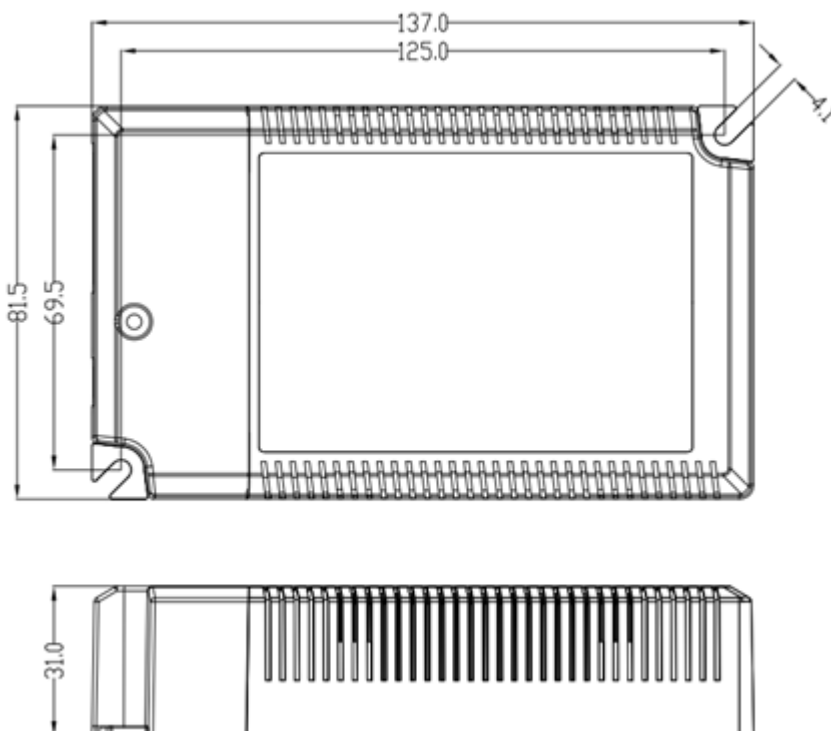
## LVED PRO 1-10V Dimmable

### Drawing

LVED PRO 20/220-240/550 CS 1-10V



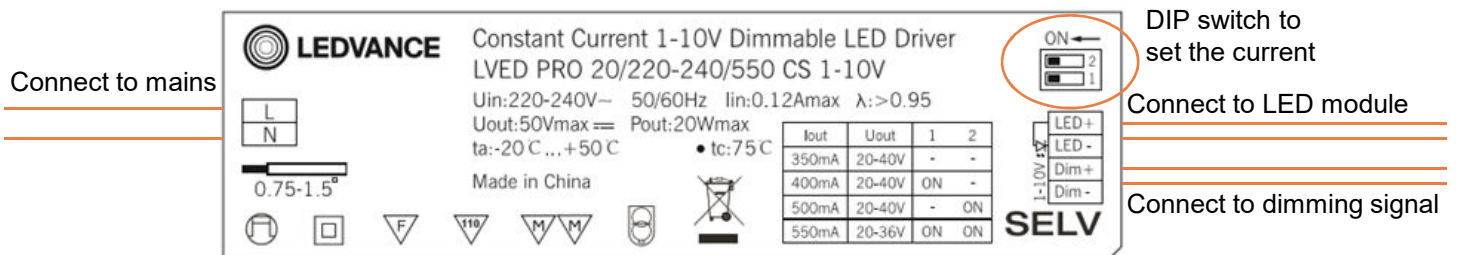
LVED PRO 40/220-240/1050 CS 1-10V



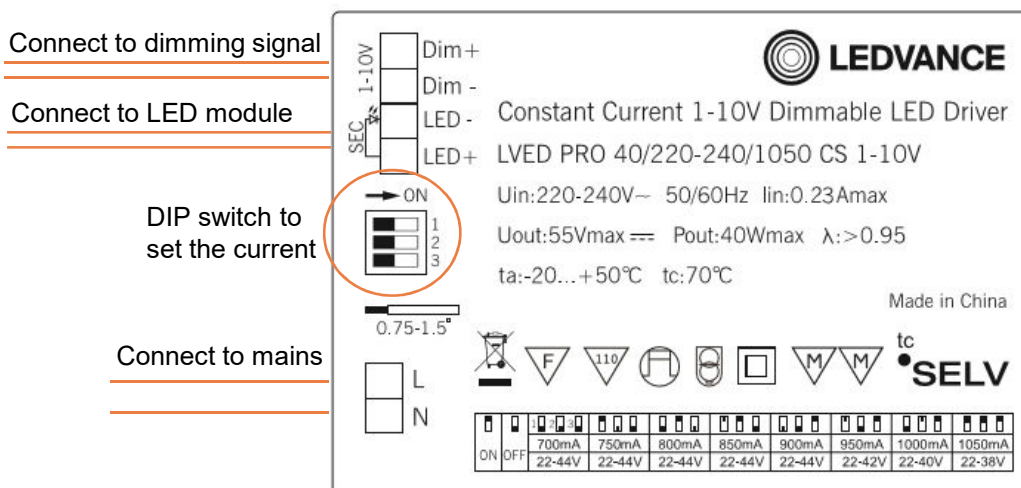
# LED Power Supply (Constant Current) LVED PRO 1-10V Dimmable

## Use Guideline

### LVED PRO 20/220-240/550 CS 1-10V



### LVED PRO 40/220-240/1050 CS 1-10V



# LED Power Supply (Constant Current)

## LVED PRO 1-10V Dimmable

### Ordering code

EAN10	EAN40	Product description
4058075199880	4058075199897	LVED PRO 20/220-240/550 CS 1-10V
4058075199903	4058075199910	LVED PRO 40/220-240/1050 CS 1-10V

### Logistics info

Model	Product weight (g)	Unit per EAN40 shipping case
LVED PRO 20/220-240/550 CS 1-10V	130	50
LVED PRO 40/220-240/1050 CS 1-10V	220	40